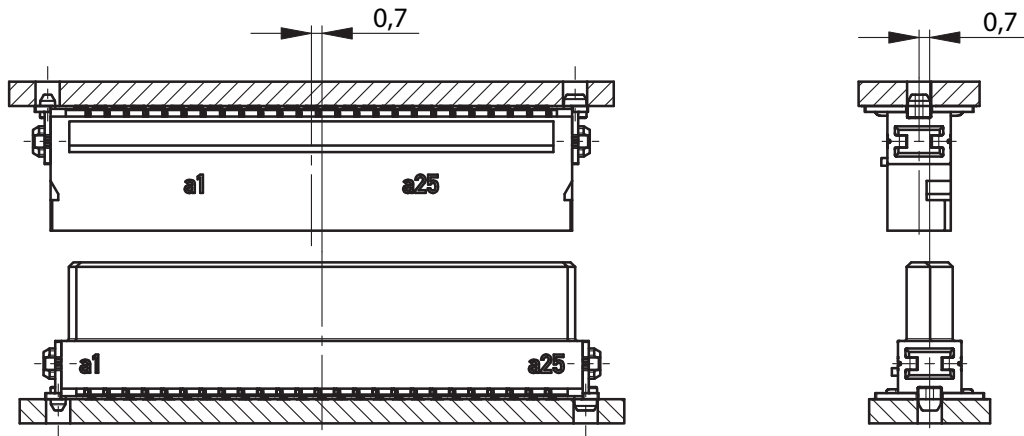
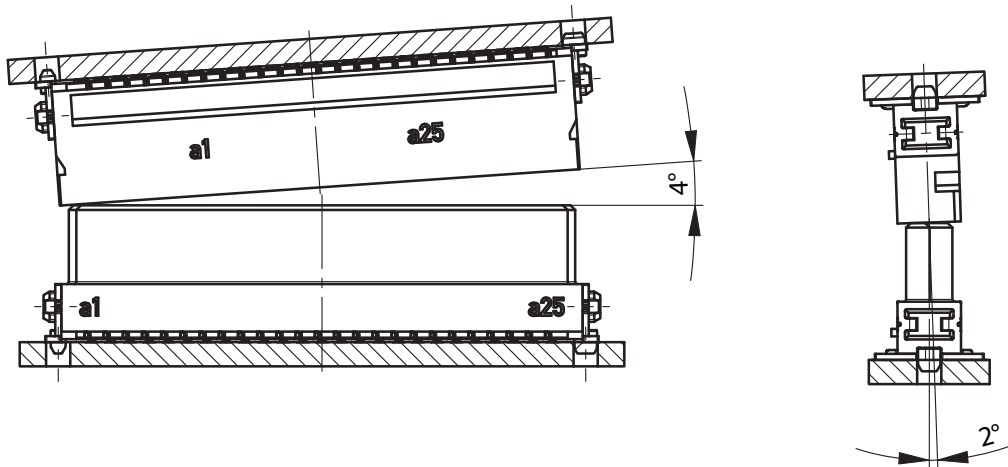


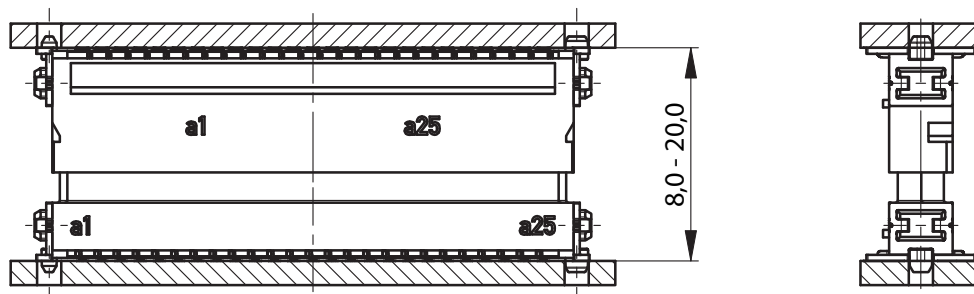
zulässiger Mittenversatz in Längs und Querrichtung jeweils $\pm 0,7\text{mm}$
allowed misalignment in longitudinal and transverse axes $\pm 0,7\text{mm}$

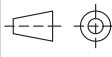




zulässiger Winkelversatz in längs: $\pm 4^\circ$, quer: $\pm 2^\circ$
allowed angular inclination longitudinal: $\pm 4^\circ$, transverse: $\pm 2^\circ$



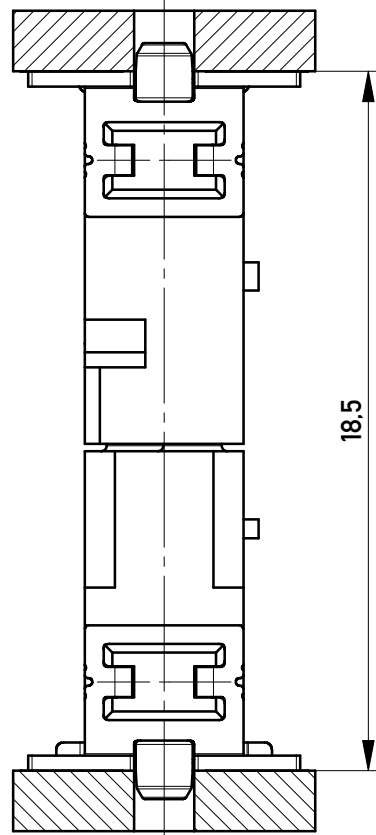
"Board to Board" Abstand für sichere Kontaktgabe: 8,0 - 20,0mm
"Board to Board" distance for secure mating: 8,0 - 20,0mm



Information: All rights reserved. Only for Information. To ensure that this is the latest version of this drawing, please contact one of the ERNI companies before using.	Tolerances  All Dimensions in mm		Scale 2:1
	Subject to modification without prior notice. Drawing will not be updated.		Designation Steckbedingungen f. SMC-System <i>Mating conditions f. SMC-System</i>
	www.ERNI.com		034485
- Index	26.05.2008 Date		I A4 Class SMCBGR

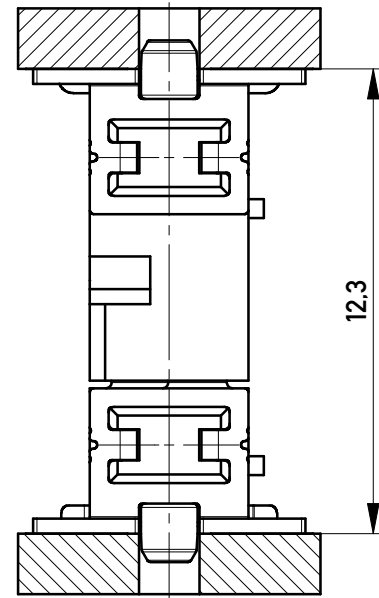
Copyright by ERNI GmbH
 Proprietary notice pursuant to ISO 16016 to be observed.

Messerleiste Bauhöhe (4,85) BA 8
Vertical Male Assembly Height (4,85) type 8



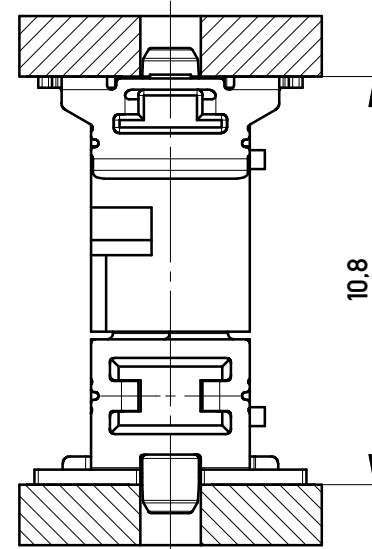
Federleiste Bauhöhe (13,65)
Vertical Female Assembly Height (13,65)

Messerleiste Standard Bauhöhe (3,25)
Vertical Male Standard Assembly Height (3,25)



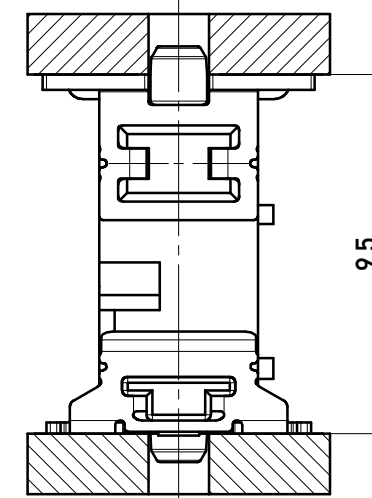
Federleiste Standard Bauhöhe (9,05)
Vertical Female Standard Assembly Height (9,05)

Messerleiste Low Profile (1,75)
Vertical Male Low Profile (1,75)



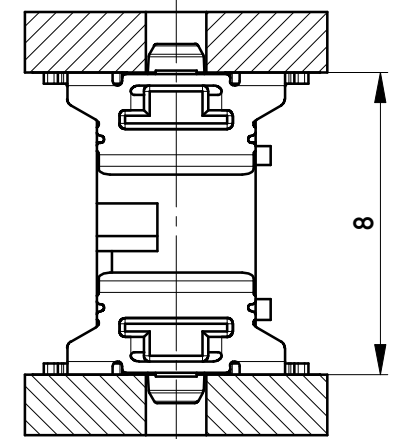
Federleiste Standard Bauhöhe (9,05)
Vertical Female Standard Assembly Height (9,05)

Messerleiste Standard Bauhöhe (3,25)
Vertical Male Standard Assembly Height (3,25)



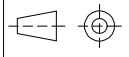

Federleiste Low Profile (6,25)
Vertical Female Low Profile (6,25)

Messerleiste Low Profile (1,75)
Vertical Male Low Profile (1,75)

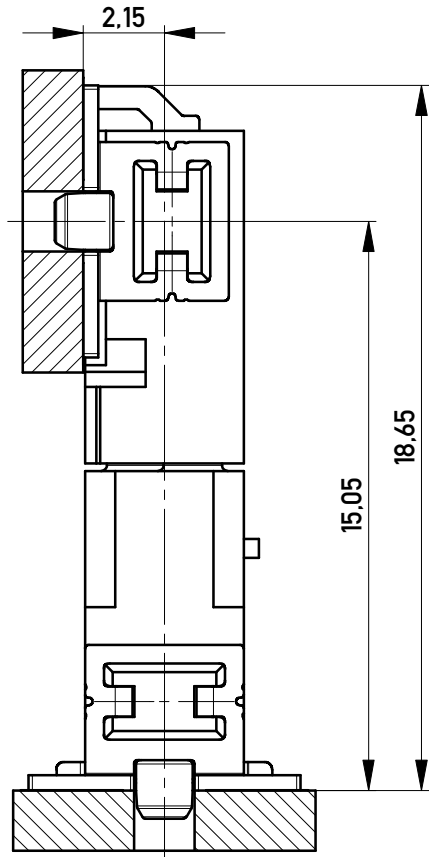


Federleiste Low Profile (6,25)
Vertical Female Low Profile (6,25)

Copyright by ERNI GmbH
Proprietary notice pursuant to ISO 16016 to be observed.

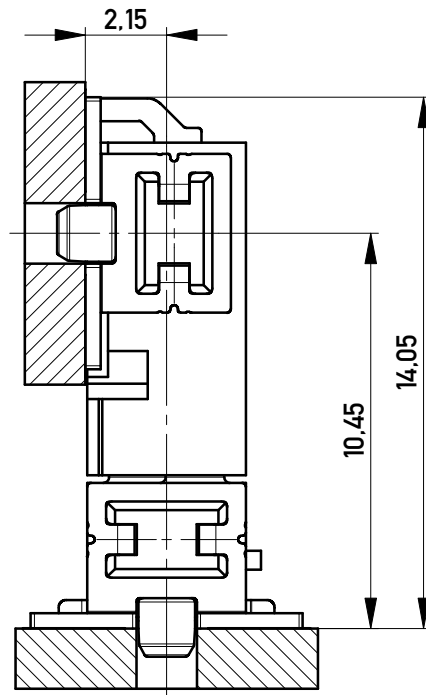
Information:		Tolerances		Scale	5:1
All rights reserved. Only for Information. To ensure that this is the latest version of this drawing, please contact one of the ERNI companies before using.		All Dimensions in mm		Designation	
Subject to modification without prior notice. Drawing will not be updated.				Beliebige LP-Abstände SMC Bauart 7	
www.ERNI.com		E04462		K	
Index	Date	Class		SMCBGR	
				A3	

Abgewinkelte Messerleiste
Standard Bauhöhe
Right Angle Male
Standard Assembly Height



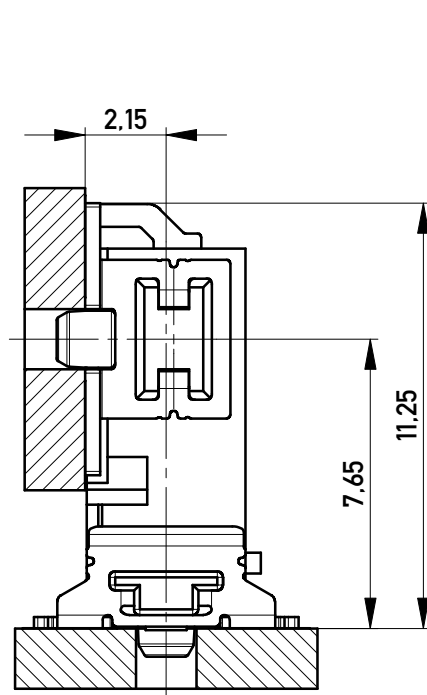
Federleiste
Bauhöhe (13.65)
Vertical Female
Assembly Height (13.65)

Abgewinkelte Messerleiste
Standard Bauhöhe
Right Angle Male
Standard Assembly Height



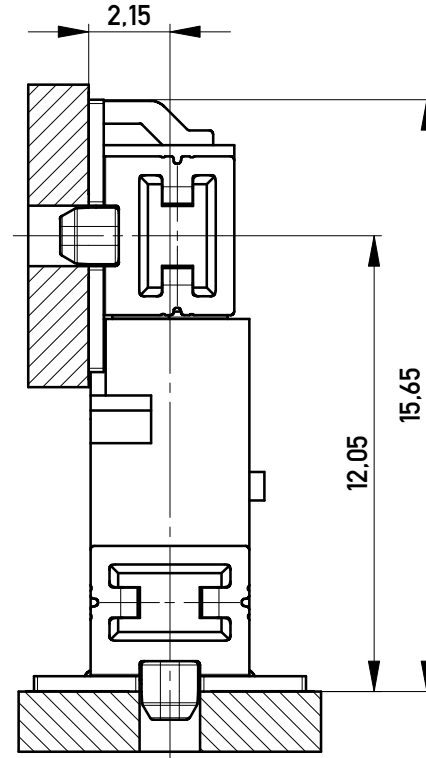
Federleiste Standard
Bauhöhe (9.05)
Vertical Female Standard
Assembly Height (9.05)

Abgewinkelte Messerleiste
Standard Bauhöhe
Right Angle Male
Standard Assembly Height



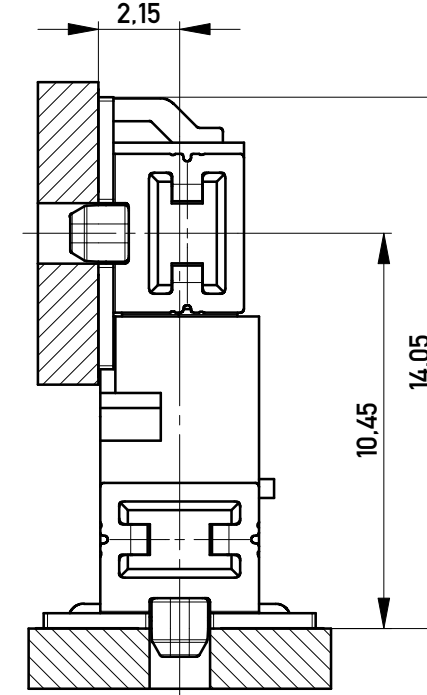
Federleiste Low Profile (6.25)
Vertical Female Low Profile (6.25)

Abgewinkelte Federleiste
Standard Bauhöhe
Right Angle Female
Standard Assembly Height



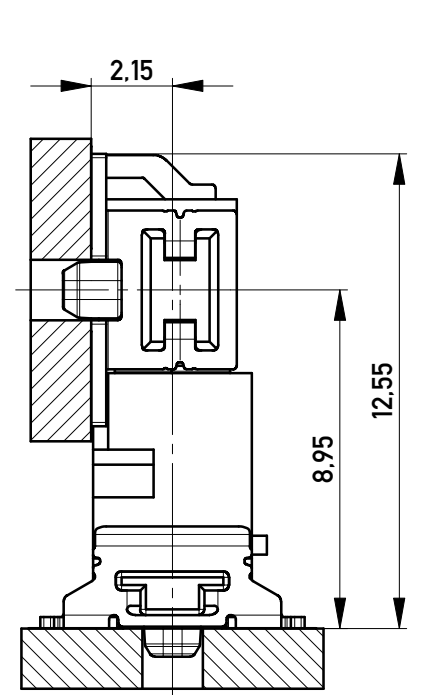
Messerleiste
Bauhöhe (4.85) BA 8
Vertical Male
Assembly Height (4.85) type 8

Abgewinkelte Federleiste
Standard Bauhöhe
Right Angle Female
Standard Assembly Height



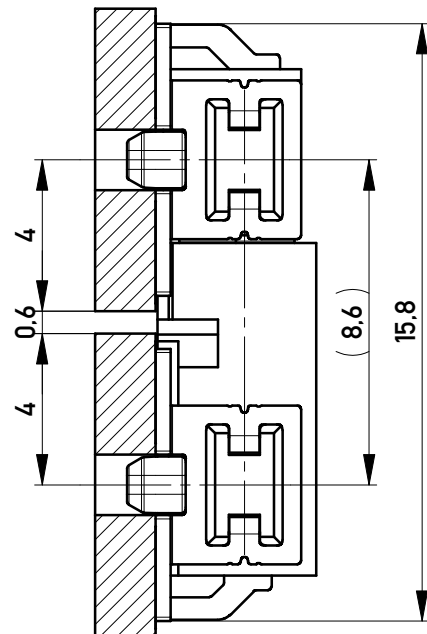
Messerleiste Standard
Bauhöhe (3.25)
Vertical Male Standard
Assembly Height (3.25)

Abgewinkelte Federleiste
Standard Bauhöhe
Right Angle Female
Standard Assembly Height



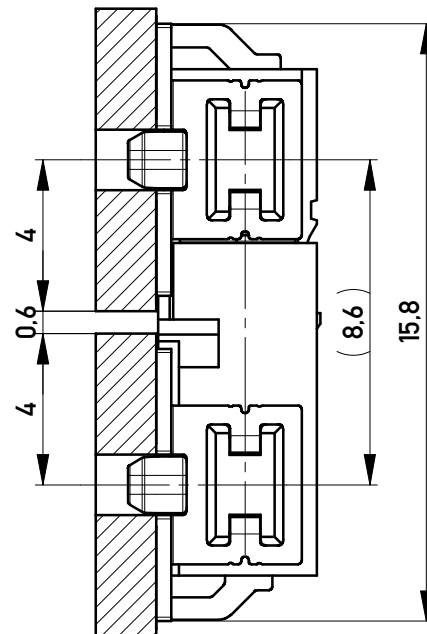
Messerleiste Low Profile (1.75)
Vertical Male Low Profile (1.75)

Abgewinkelte Federleiste
Standard Bauhöhe
Right Angle Female
Standard Assembly Height



Abgewinkelte Messerleiste
Standard Bauhöhe
Right Angle Male
Standard Assembly Height

Abgewinkelte Federleiste
Standard Bauhöhe mit Verriegelung
Right Angle Female Standard Assembly Height
with locking mechanism

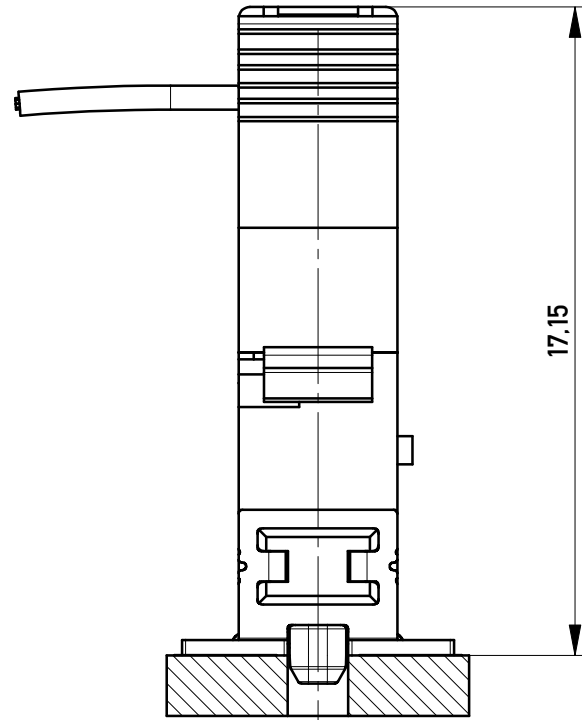


Abgewinkelte Messerleiste
Standard Bauhöhe für Verriegelung
Right Angle Male Standard Assembly Height
for locking mechanism

Copyright by ERNI GmbH
Proprietary notice pursuant to ISO 16016 to be observed.

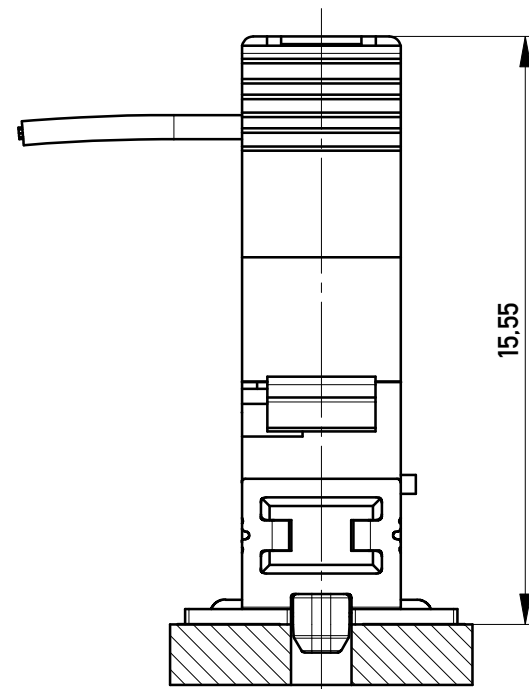
Information:	Tolerances	All Dimensions in mm	Scale	5:1
All rights reserved. Only for Information. To ensure that this is the latest version of this drawing, please contact one of the ERNI companies before using.	Subject to modification without prior notice. Drawing will not be updated.	Designation	Beliebige LP-Abstände SMC Bauart 7	
	www.ERNI.com		E04462	K
Index	Date	Class	SMCBGR	A3

Federleiste mit Schneidklemmanschluß
 Bauform B, BA 6 mit Verriegelungs-
 mechanismus
*IDC Female Connector Type B with
 Locking Latches type 6*



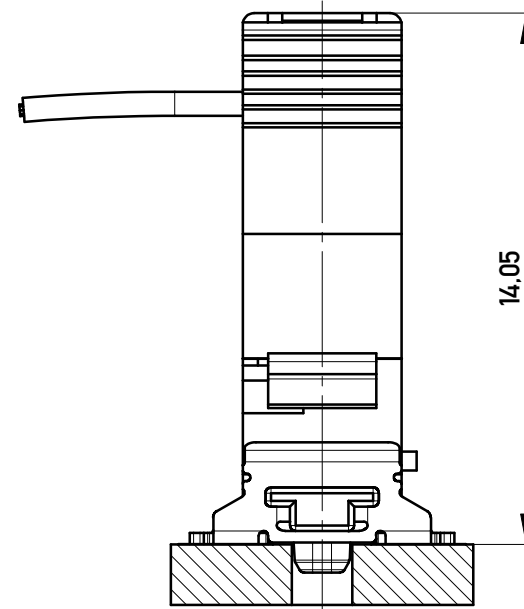
Messerleiste
 Bauhöhe (4,85) BA 8
*Vertical Male
 Assembly Height (4,85) type 8*

Federleiste mit Schneidklemmanschluß
 Bauform B, BA 6 mit Verriegelungs-
 mechanismus
*IDC Female Connector Type B with
 Locking Latches type 6*



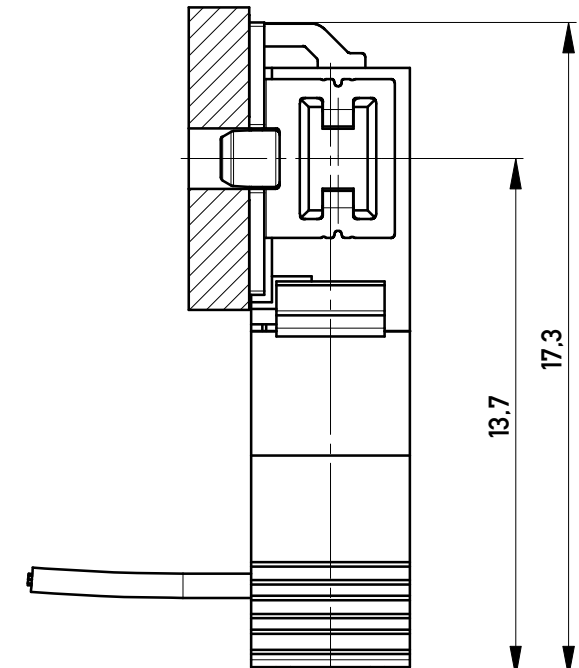
Messerleiste
 Bauhöhe (3,25)
*Vertical Male
 Assembly Height (3,25)*

Federleiste mit Schneidklemmanschluß
 Bauform B, BA 6 mit Verriegelungs-
 mechanismus
*IDC Female Connector Type B with
 Locking Latches type 6*

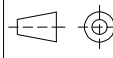



Messerleiste Low Profile (1,75)
Vertical Male Low Profile (1,75)

Abgewinkelte Messerleiste
 Standard Bauhöhe
*Right Angle Male
 Standard Assembly Height*



Federleiste mit Schneidklemmanschluß
 Bauform B, BA 6 mit Verriegelungs-
 mechanismus
*IDC Female Connector Type B with
 Locking Latches type 6*

Information: All rights reserved. Only for Information. To ensure that this is the latest version of this drawing, please contact one of the ERNI companies before using.	Tolerances  All Dimensions in mm	Scale	5:1
		Designation Beliebige LP-Abstände SMC Bauart 7	
 www.ERNI.com		E04462	
Index	Date	Class	SMCBGR
		K A3	

Copyright by ERNI GmbH
 Proprietary notice pursuant to ISO 16016 to be observed.