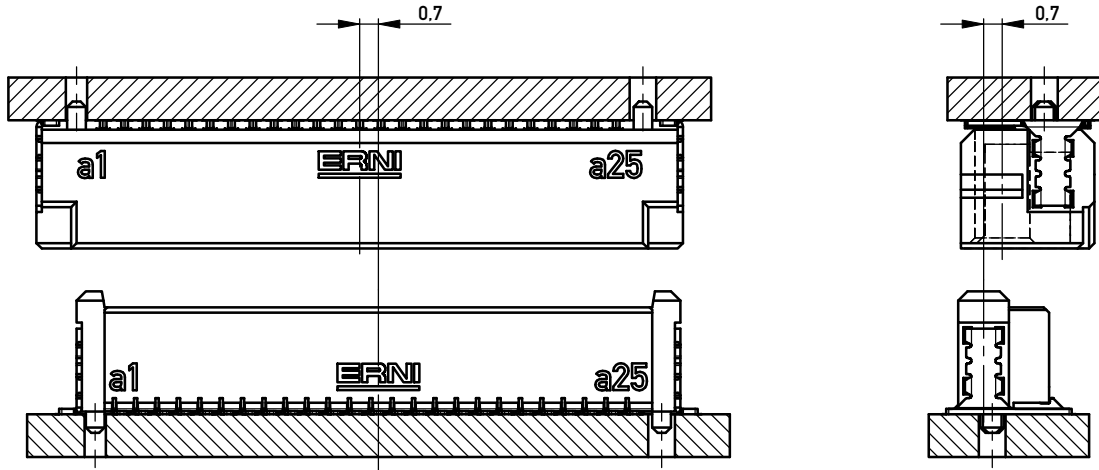
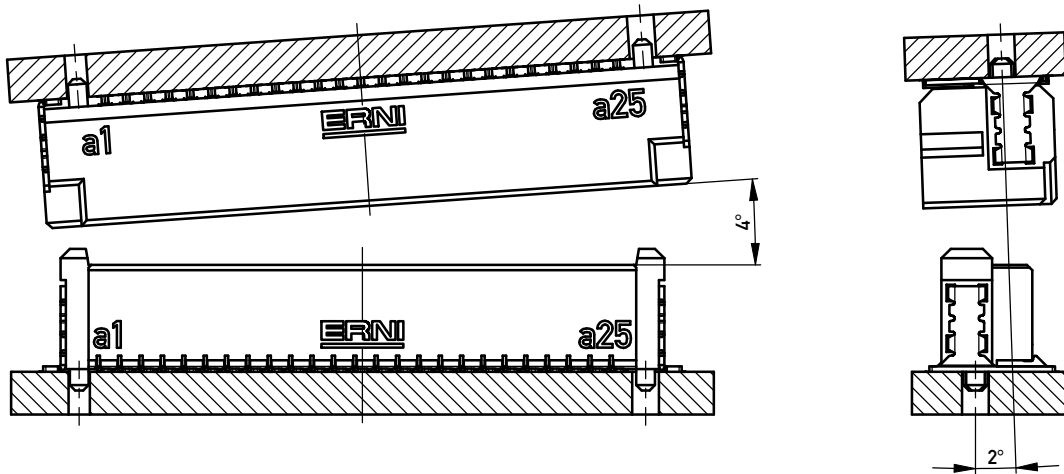


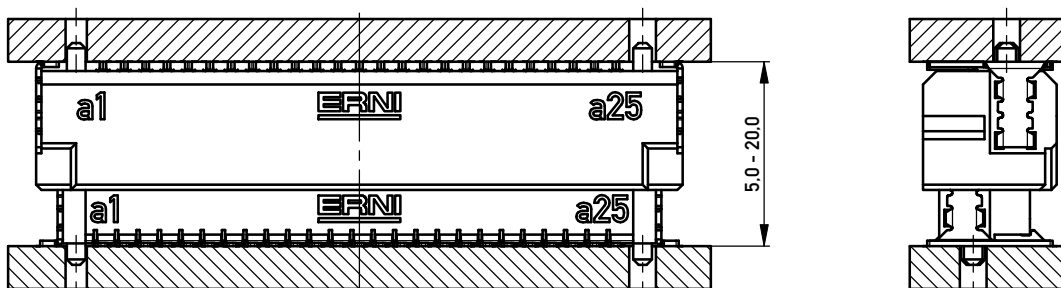
zulässiger Mittenversatz in Längs und Querrichtung während des Steckvorgangs jeweils  $\pm 0,7\text{mm}$   
*allowed misalignment in longitudinal and transverse axes  $\pm 0,7\text{mm}$  during the mating operation*



zulässiger Winkelversatz während des Steckvorgangs, längs  $\pm 4^\circ$ , quer:  $\pm 2^\circ$   
*allowed angular inclination longitudinal:  $\pm 4^\circ$ , transverse:  $\pm 2^\circ$ , during the mating operation*

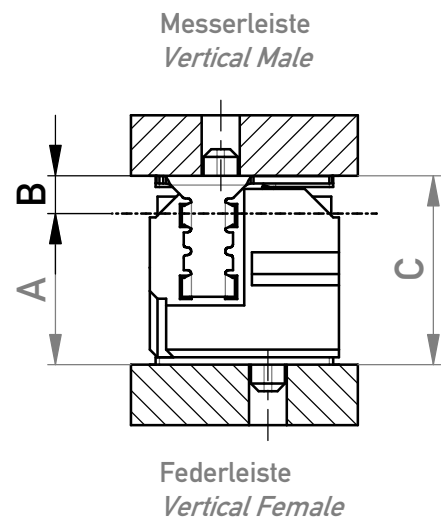


"Board to Board" Abstand für sichere Kontaktgabe: 5,0 - 20,0mm  
*"Board to Board" distance for secure mating: 5,0 - 20,0mm*  
 Überstecksicherheit max. 1,9mm  
*wipe length max. 1,9mm*



Copyright by ERNI GmbH Proprietary notice pursuant to ISO 16106 to be observed.	Dimension Nr.		Tolerances		All Dimensions in mm	Scale	5:1	Tool-Nr.:	
			DIN 7167			Material			
			Drawn	29.09.2010	Date	Name	Designation		
			Checked				Steckbedingungen 0,8 DRC Mating conditions 0,8 DRC		
			Approved						
				Electronics GmbH D-73099 ADELBERG		<b>E05277</b>			
e01	Index	Modification Nr.	Date	Name	Class		A3		

Board to Board  
Mezzanine

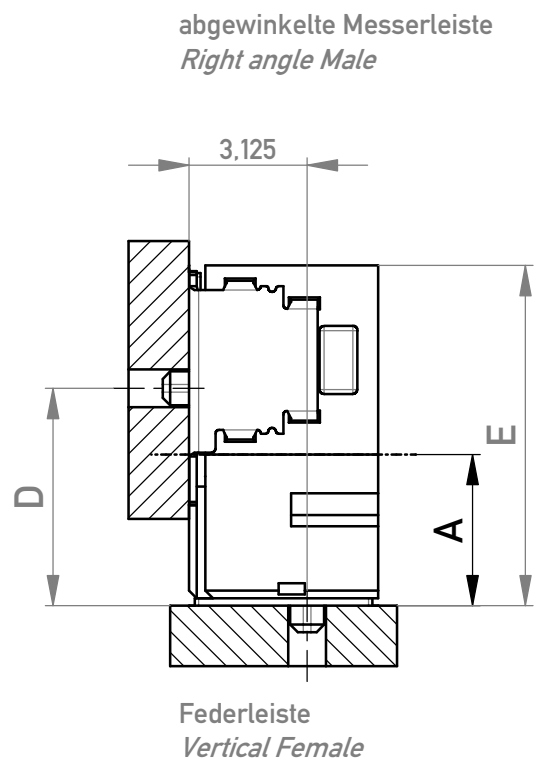


8,0	10,0	18,00
8,0	9,0	17,00
6,0	10,0	16,00
6,0	9,0	15,00
4,0	10,0	14,00
4,0	9,0	13,00
8,0	2,0	10,00
8,0	1,0	9,00
6,0	2,0	8,00
6,0	1,0	7,00
4,0	2,0	6,00
4,0	1,0	5,00
<b>A</b>	<b>B</b>	<b>C</b>

A = Höhe Federleiste  
Height Female Connector

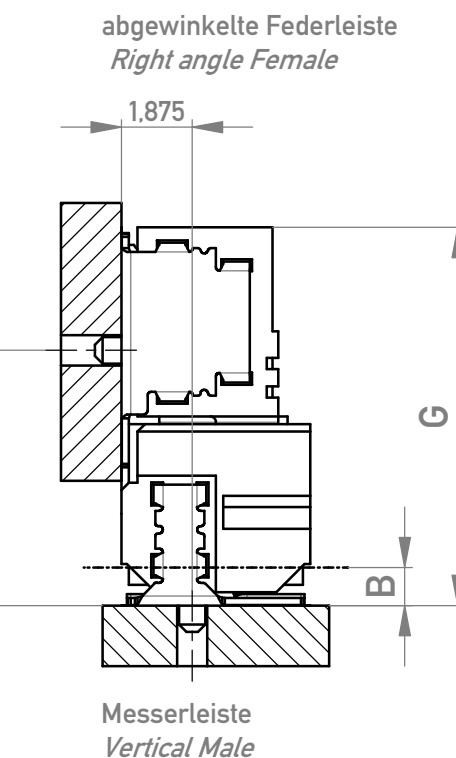
B = Höhe Messerleiste  
Height Male Connector

Motherboard auf Tochterkarte  
Motherboard to daughter card



8,0	9,75	13,00
6,0	7,75	11,00
4,0	5,75	9,00
<b>A</b>	<b>D</b>	<b>E</b>

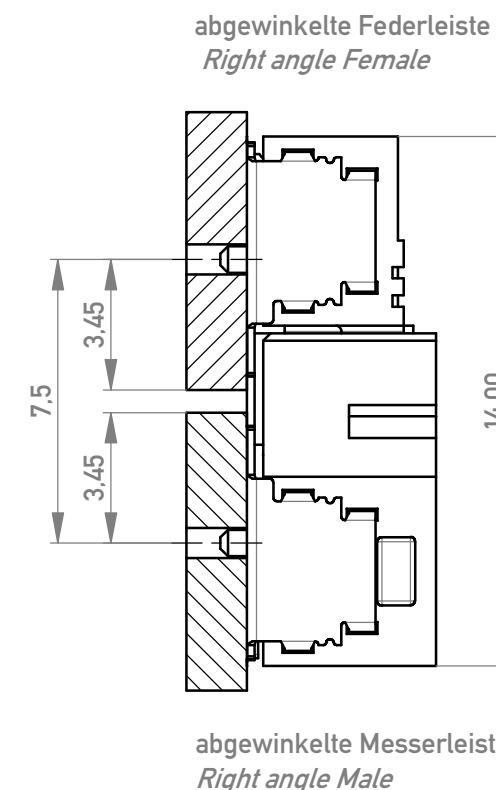
A = Höhe Federleiste  
Height Female Connector



10,0	15,75	19,00
9,0	14,75	18,00
2,0	7,75	11,00
1,0	6,75	10,00
<b>B</b>	<b>F</b>	<b>G</b>

B = Höhe Messerleiste  
Height Male Connector

Extender Karte  
Coplanar card

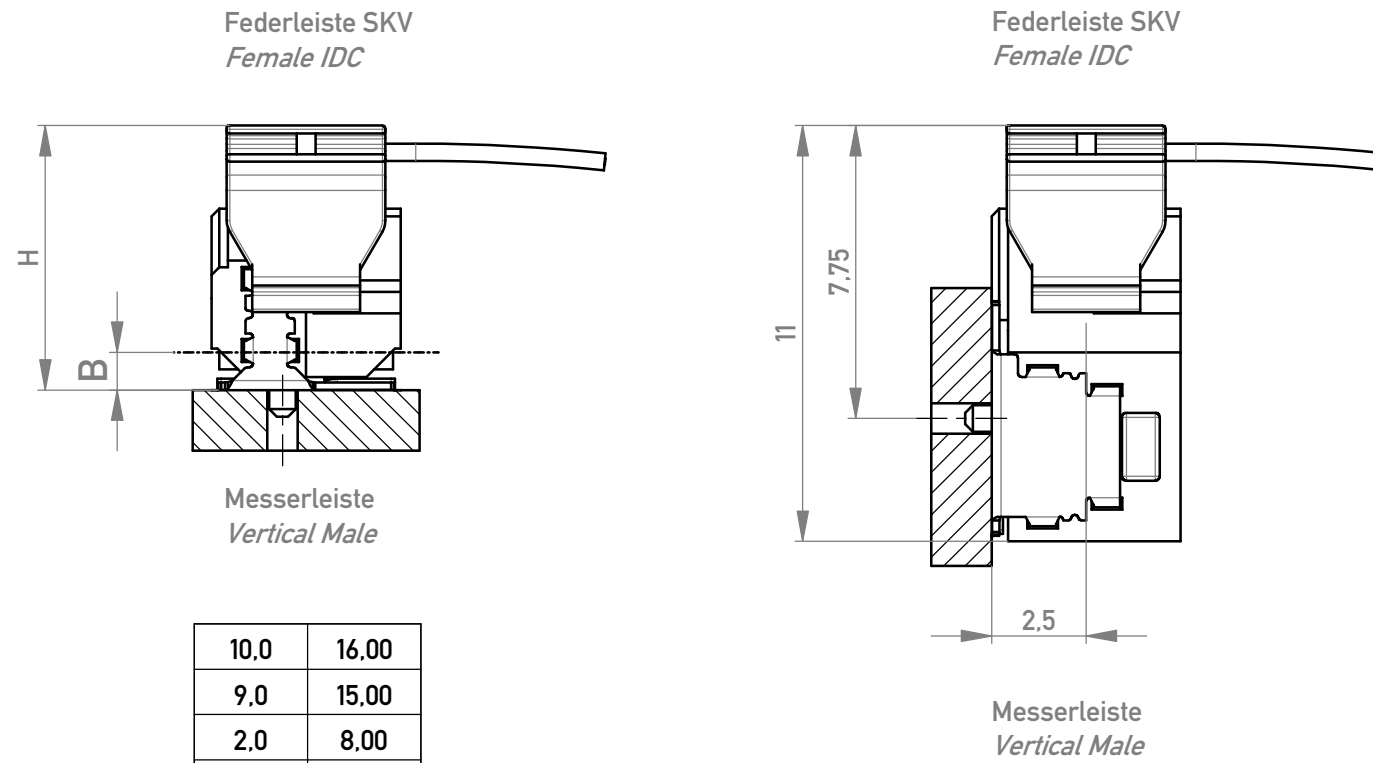


Überstecksicherheit max. 1,9mm - wiper length max. 1,9mm

Information:	Tolerances	 All Dimensions in mm	Scale	<b>5:1</b>
	All rights reserved. Only for Information. To ensure that this is the latest version of this drawing, please contact one of the ERNI companies before using.		Designation <b>Steckmöglichkeiten 0,8 DRC</b> <b>Stacking Dimensions 0,8 DRC</b>	
Subject to modification without prior notice. Drawing will not be updated.		 www.ERNI.com	<b>E05279</b>	
Index	Date		Class	DRCALL

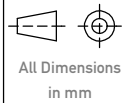

Copyright by ERNI Production GmbH & Co. KG  
Proprietary notice pursuant to ISO 16016 to be observed.

Board nach Kabel  
Board to Cable



B = Höhe Messerleiste  
Height Male Connector

Copyright by ERNI Production GmbH & Co. KG  
Proprietary notice pursuant to ISO 16016 to be observed.

Information:	Tolerances		Scale <b>5:1</b>
All rights reserved. Only for Information. To ensure that this is the latest version of this drawing, please contact one of the ERNI companies before using.	Subject to modification without prior notice. Drawing will not be updated.	Designation <b>Steckmöglichkeiten 0,8 DRC</b> <b>Stacking Dimensions 0,8 DRC</b>	
	 www.ERNI.com	<b>E05279</b>	
Index	Date	Class	DRCALL
			K A3