

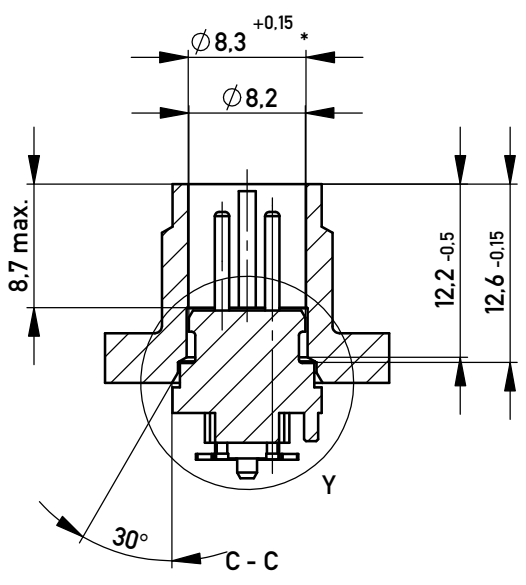
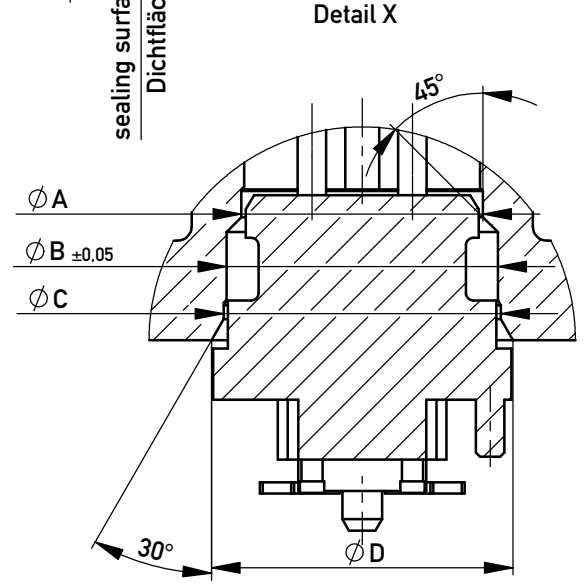
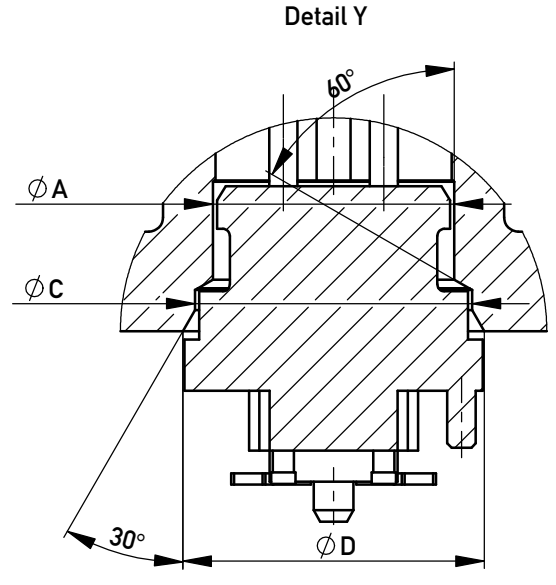
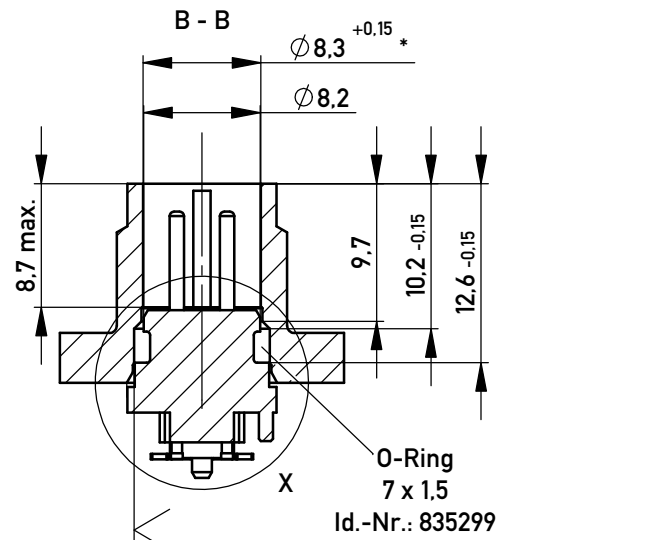
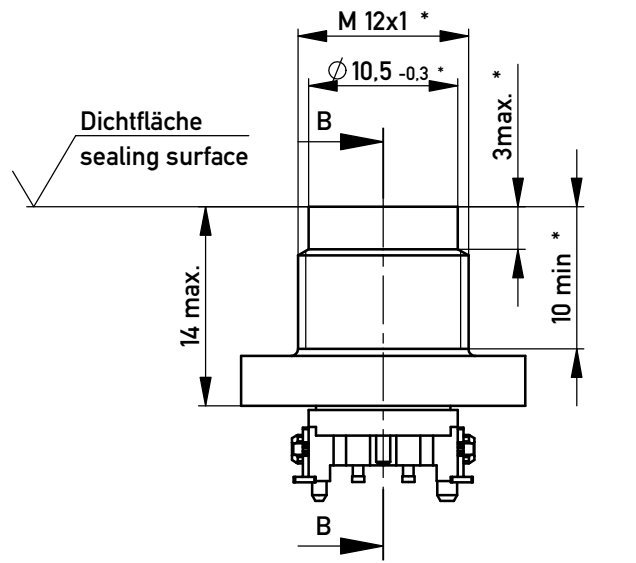
Für minimal Maß Y bitte Kabelstecker Masse beachten
for min. dimension Y refer to circular connector dimension

O - Ring
7 x 1.5
Id.-Nr.: 835299

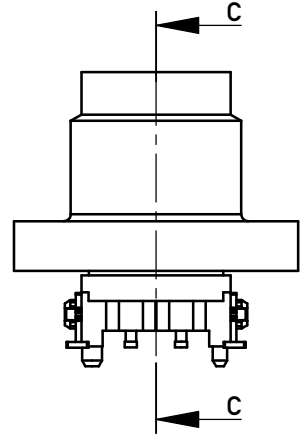
A - coding
dimension with * see
DIN EN 61076-2-101
4: 5: 8 pins Ø 9.0 mm
4: 5 pins Ø 8.2 mm

B - coding
dimension with * see
DIN EN 61076-2-101
5 pins Ø 9.0 mm
5 pins Ø 8.2 mm

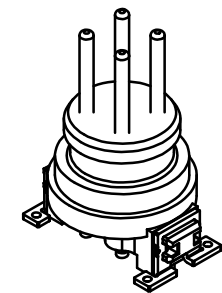
D - coding
dimension with * see
DIN EN 61076-2-101
4 pins Ø 9.0 mm
4 pins Ø 8.2 mm



Typ ohne O-Ring
Type without O-Ring seal



weitere Angaben siehe Zeichnung 2249481 /
additional application refer to drawing 2249481



	Detail X	Detail X	Detail Y
Ø A	9.3	8.5	8.5
Ø B	9.55	9.55	-
Ø C	9.75	9.75	9.75
Ø D	10.6	10.6	10.6
	Typ 9 mm	Typ 8.2 mm	Typ 8.2 mm ohne O-Ring

Information: All rights reserved. Only for Information. To ensure that this is the latest version of this drawing, please contact one of the ERNI companies before using.	Tolerances All Dimensions in mm	Scale 2:1
	Designation M12 Direkt Integration	
www.ERNI.com	464498	
26.01.2012	Class ZCHALL	
Index	A3	

Copyright by ERNI GmbH
Proprietary notice pursuant to ISO 16016 to be observed.