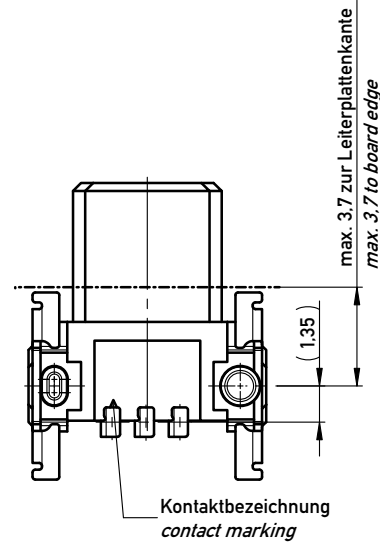
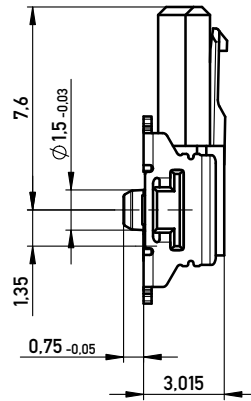
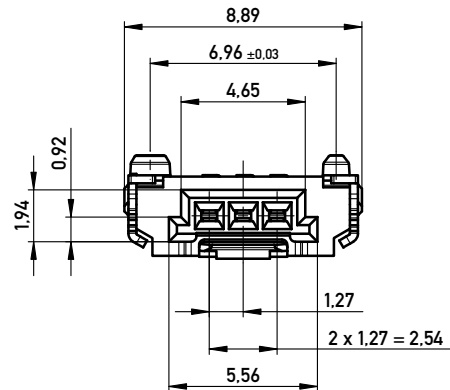
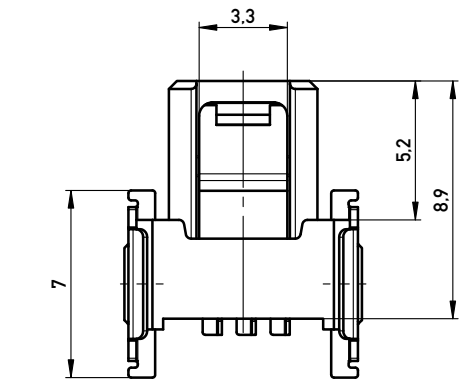
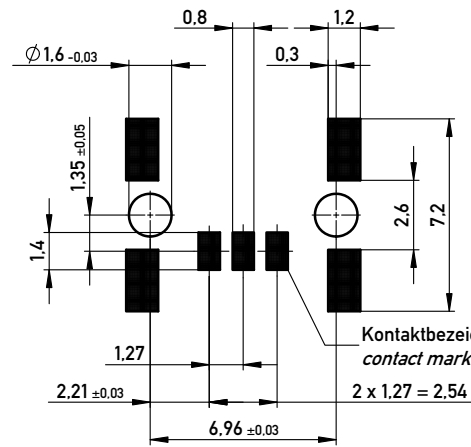
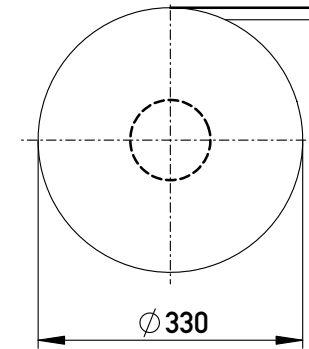


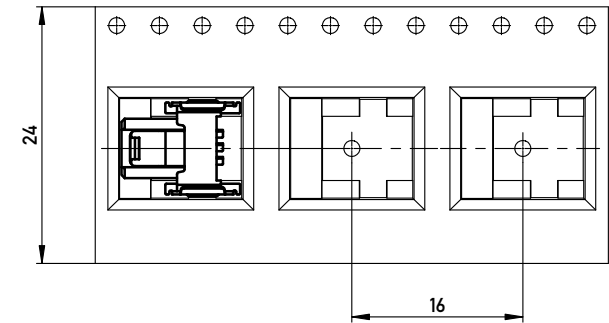
Leiterplatten-Layout Vorschlag für SMT  
PCB-Layout Proposal for SMT



Verpackt im Gurt in Anlehnung an DIN IEC 60286-3  
Tape on Reel Packaging according to DIN IEC 60286-3  
Verpackungseinheit: 850 Stück  
Packaging unit: 850 pcs



Abspulrichtung - Reel off Direction



Anforderungsstufe 1  
Performance Level 1

Kontaktbereich vergoldet  
Mating Area gold plating

Anschlussbereich verzinkt 4-6 µm  
Terminal Area 4-6 µm tin plating

Koplanarität der Anschlüsse ≤ 0.1 mm  
Coplanarity Area of Termination ≤ 0.1 mm

Copyright by ERNI GmbH  
Proprietary notice pursuant to ISO 9006 to be observed.

Information:		Tolerances	Scale 5:1	
All rights reserved. Only for Information. To ensure that this is the latest version of this drawing, please contact one of the ERNI companies before using.		 All Dimensions in mm	Designation	
Subject to modification without prior notice. Drawing will not be updated.			F 1.27 SRC P, 3-polig BA1	
www.ERNI.com		384841		I
a	15.07.2015	Class		A3
Index	Date	SRCP		