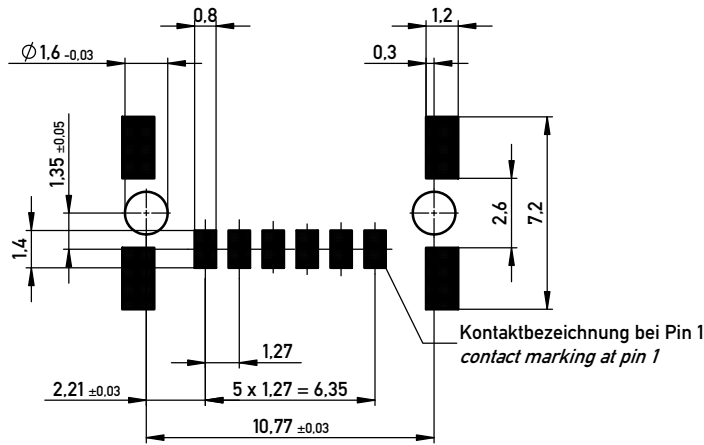
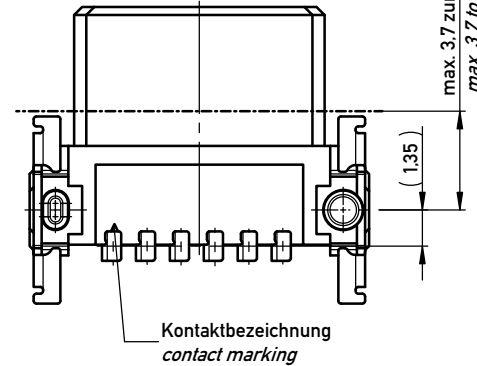
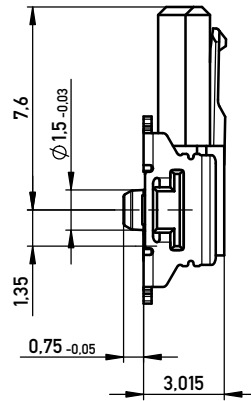
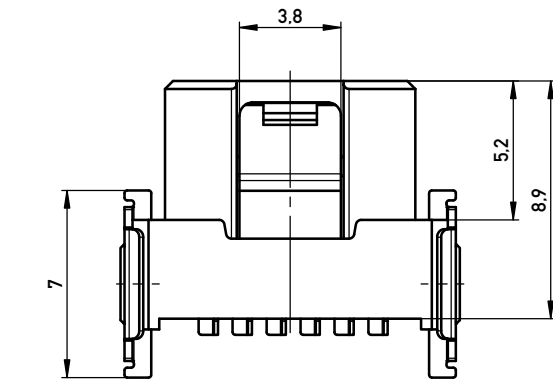
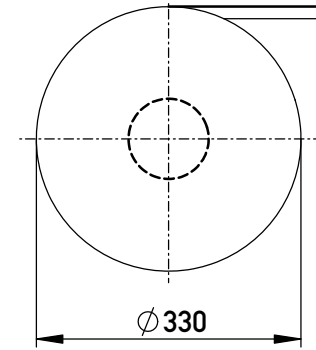


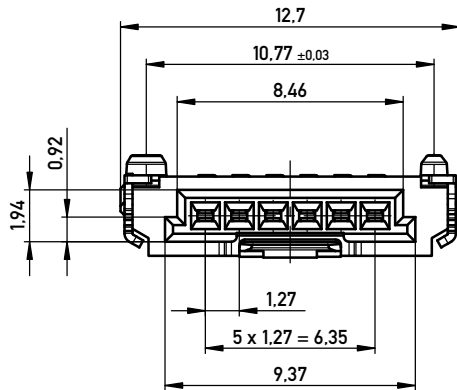
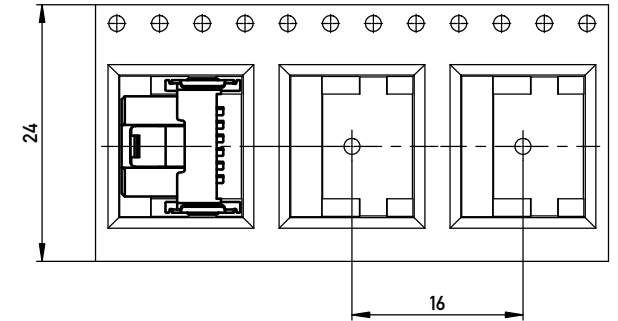
Leiterplatten-Layout Vorschlag für SMT
PCB-Layout Proposal for SMT



Verpackt im Gurt in Anlehnung an DIN IEC 60286-3
Tape on Reel Packaging according to DIN IEC 60286-3
Verpackungseinheit: 850 Stück
Packaging unit: 850 pcs



Abspulrichtung - Reel off Direction



Anforderungsstufe 1
Performance Level 1

Kontaktbereich vergoldet
Mating Area gold plating

Anschlussbereich verzinkt 4-6 µm
Terminal Area 4-6 µm tin plating

Koplanarität der Anschlüsse ≤ 0.1 mm
Coplanarity Area of Termination ≤ 0.1 mm

| | | | | |
|---|--|-----------------------------|-------------|---------------------------|
| Information: ohne Hilfsmittel lösbar without tool unlockable | Tolerances | All Dimensions in mm | Scale | 5:1 |
| | | | Designation | F 1.27 SRC P. 6-polig BA1 |
| All rights reserved. Only for Information. To ensure that this is the latest version of this drawing, please contact one of the ERNI companies before using. | Subject to modification without prior notice. Drawing will not be updated. | www.ERNI.com | 384804 | |
| | | | b Index | 15.07.2015 Date |

Copyright by ERNI GmbH
Proprietary notice pursuant to ISO 9006 to be observed.