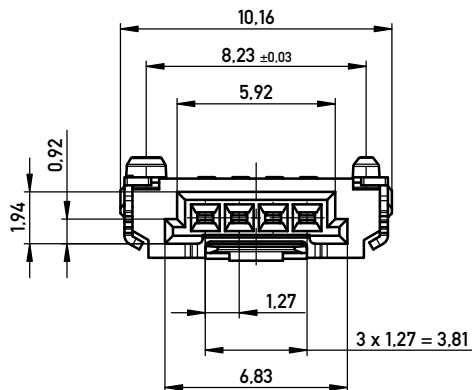
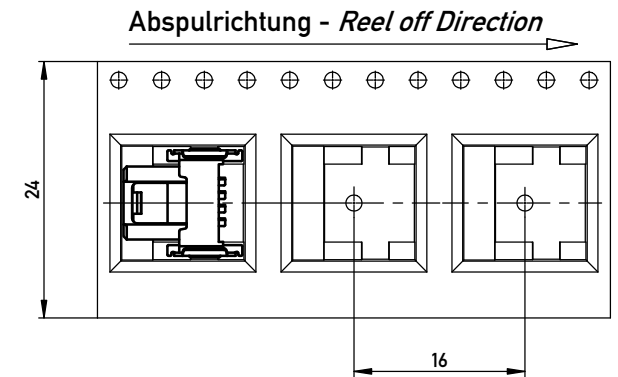
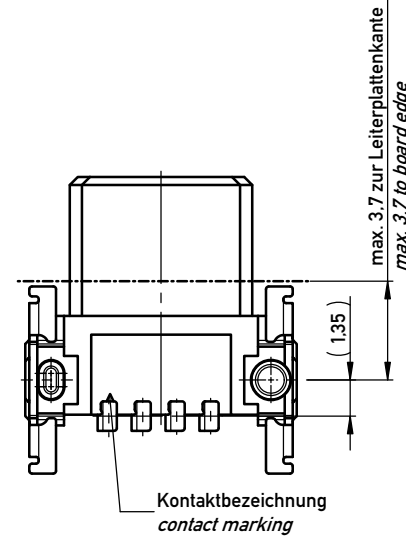
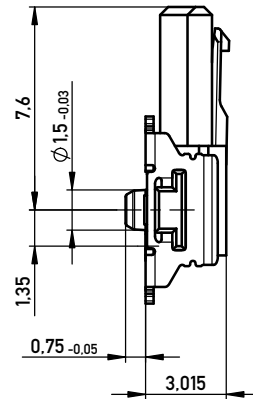
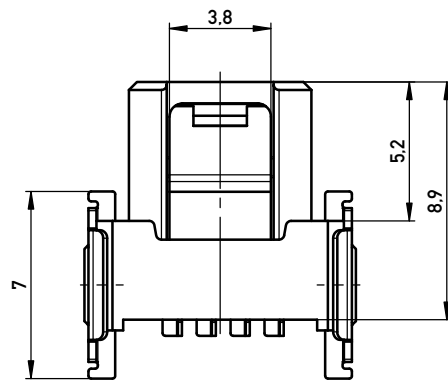
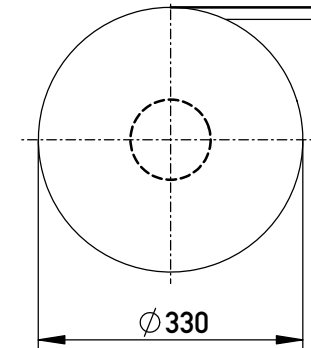
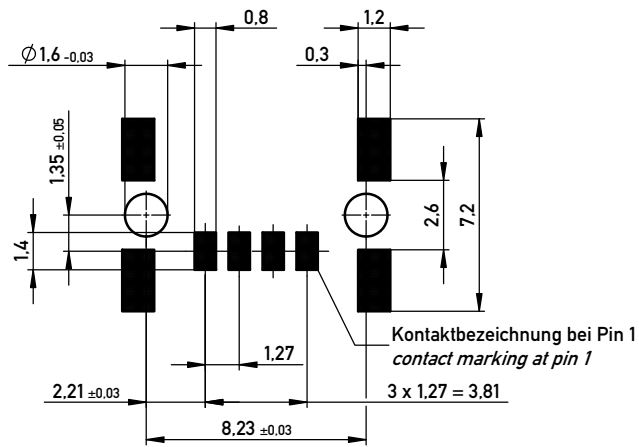


Leiterplatten-Layout Vorschlag für SMT  
PCB-Layout Proposal for SMT

Verpackt im Gurt in Anlehnung an DIN IEC 60286-3  
Tape on Reel Packaging according to DIN IEC 60286-3  
Verpackungseinheit: 850 Stück  
Packaging unit: 850 pcs



Anforderungsstufe 1  
Performance Level 1

Kontaktbereich vergoldet  
Mating Area gold plating

Anschlussbereich verzinkt 4-6  $\mu\text{m}$   
Terminal Area 4-6  $\mu\text{m}$  tin plating

Koplanarität der Anschlüsse  $\leq 0.1 \text{ mm}$   
Coplanarity Area of Termination  $\leq 0.1 \text{ mm}$

mit Verriegelung  
with locking mechanism

Information: nur mit Hilfsmittel lösbar only with tool unlockable	Tolerances		Scale	5:1
	All Dimensions in mm		Designation	
All rights reserved. Only for Information. To ensure that this is the latest version of this drawing, please contact one of the ERNI companies before using.	Subject to modification without prior notice. Drawing will not be updated.		F 1.27 SRC P, 4-polig BA1	
	ERNI www.ERNI.com		364484	
b	14.07.2015	Class		SRCP
Index	Date			A3

Copyright by ERNI GmbH  
Proprietary notice pursuant to ISO 9006 to be observed.