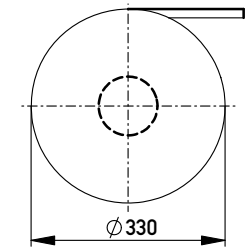
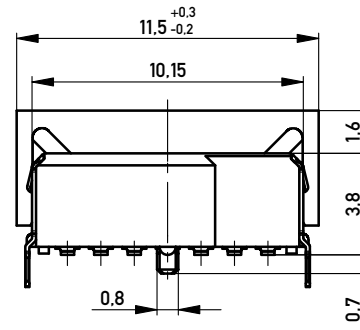
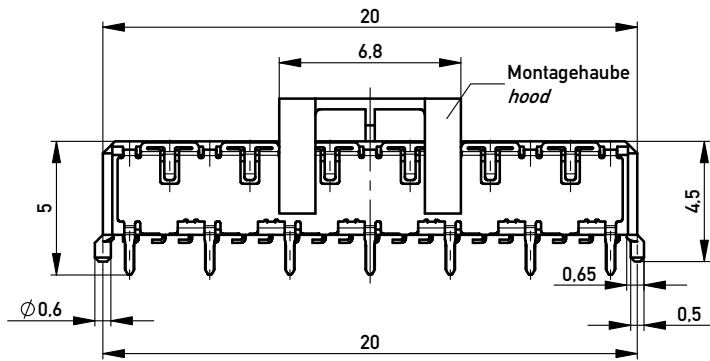
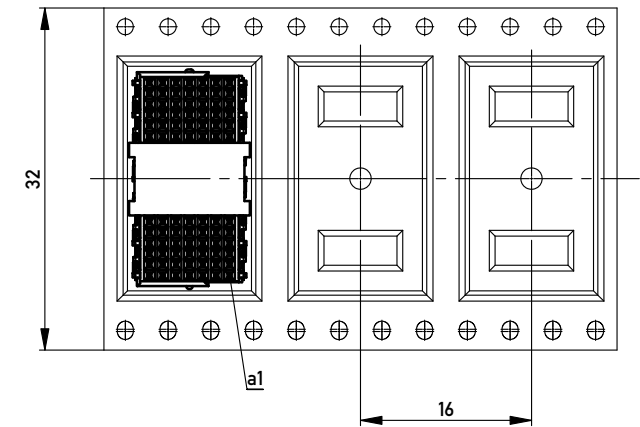
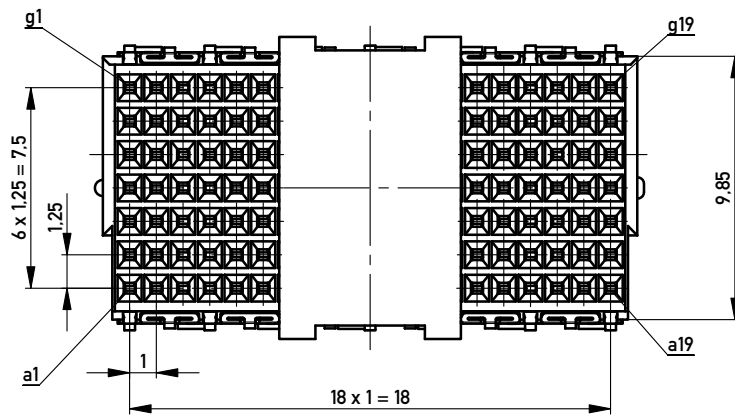


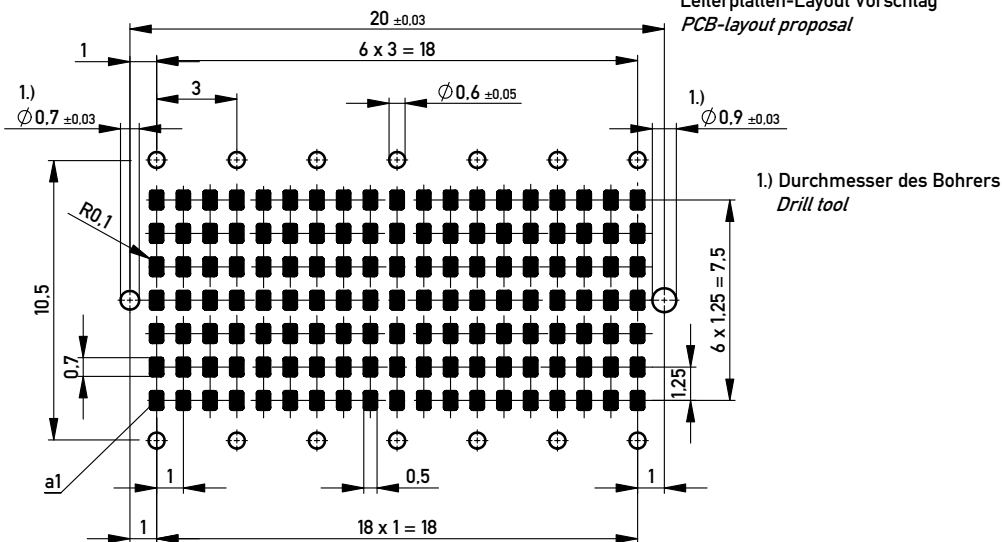
Verpackt in Gurtverpackung
Tape on Reel Packaging
Verpackungseinheit: 440 Stück
Packaging unit: 440 pcs



Abspulrichtung - Reel off Direction →



Leiterplatten-Layout Vorschlag
PCB-layout proposal



Anforderungsstufe 1
Performance Level 1

Kontaktbereich vergoldet
Mating Area gold plating

Anschlussbereich verzinkt 4-6 µm
Terminal Area 4-6 µm tin plating

Koplanarität der Anschlüsse ≤ 0.1 mm
Coplanarity Area of Termination ≤ 0.1 mm

Information:	Tolerances	 All Dimensions in mm	Scale	5:1
	All rights reserved. Only for Information. To ensure that this is the latest version of this drawing, please contact one of the ERNI companies before using.			
Subject to modification without prior notice. Drawing will not be updated.	www.ERNI.com		Designation Federleiste THR, 133-polig Female Con. THR, 133 contacts	
	f Index	18.02.2013 Date	234098	I A3
			Class	MSPEED

Copyright by ERNI GmbH. Proprietary notice pursuant to ISO 9006 to be observed.